

System Models

TPUK-LC1

Pneumatic Systems

ENGLISH

Instruction Manual

Life Counter



Please read this instruction manual carefully, prior to installation and operation. Please read in conjunction with all other relevant equipment manuals.

tapflo[®]
pumps & systems

CONTENTS PAGE

1.	CE Certification
2.	Introduction
2.	Warning symbols
3.	Receiving and inspection
3.	Storage
3.	Mounting
3.	Air connection
3.	Air preparation
3.	Health and safety
4.	Principle of operation
4.	Recommended installation
4.	Calibration and set-up
5.	Operation
5.	Maintenance
5.	Troubleshooting
6.	Technical Data
7.	Returning parts / Warranty
7.	Service Notes
9.	Warranty form

CE

Declaration of conformity

Machinery directive 98/37/EC, Annex 2A

Tapflo Uk Ltd declares that:

Product Name: Pneumatic Level Control

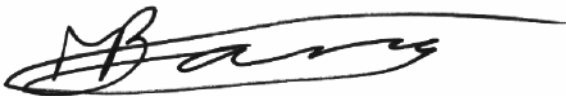
Model Name: TPUK-LC1

Is in conformity with the essential health and safety requirements and technical construction file requirements of the EC Machinery directive 98/37/EC with amendments.

Manufacturer: Tapflo (UK) Ltd

Address: Tapflo House,
Victory Close, Chandlers Ford,
Hampshire SO53 4BU.

Tapflo UK Ltd, 9th October 2008



Michael Barnes
Managing Director

Introduction

Tapflo (UK) pump control systems are designed to offer simple solutions for industrial pumping applications. The systems work in harmony with each pump application utilising similar means of power and methods of construction to give safe, simple and reliable use.

With proper installation, set-up and maintenance Tapflo (UK) systems give efficient and trouble free operation. This manual will familiarise operators with detailed information about installing, operating and maintenance of the system.

Warning symbols

The following warning symbols are present in this instruction manual. The warning information should be observed when either of these symbols is present.



This symbol highlights all safety instructions in this manual where danger to person may occur. Observe these instructions carefully and proceed with the utmost caution in these situations. Inform all users of all safety instructions. In addition to the instructions in this manual, the general safety and accident prevention regulations must be observed.



This symbol highlights points in the instruction manual of particular importance for compliance with regulations and directives, for correct work flow and the prevention of damage to, or destruction of the system or its associate equipment.

INSTRUCTION MANUAL



Receiving inspection

Although every precaution is taken when packing and shipping, please carefully check goods on receipt, ensuring all parts listed on the packing note are accounted for. Report any damage or shortages to the delivery company and Tapflo (UK) as soon as possible



Storage

If the equipment is to be stored prior to installation, place in a clean dry location ensuring it is not exposed to extreme temperature or humidity, ideally in original packaging to prevent contaminants entering the system.



Mounting

Tapflo (UK) systems will operate properly without being mounted unless otherwise stated. If the system is to be mounted please ensure the surface is suitable for the load detailed in the specifications and appropriate to the system and application.



Air connections

Please ensure all connections observe the specifications of the system, failure to observe this could result in damage to the system and danger to personnel.



Air preparation

All Tapflo (UK) systems are designed to run on clean, dry air, *lubrication is not recommended*. Maximum pressure is 7 bar (G) unless otherwise stated. An inline filter of 5 micron or finer is recommended to preserve the life of the system.



Health and Safety

Systems must be installed according to local and national safety rules.

The pump with which the system is to be used must be suitable for the application. Failure to do so could result in poor performance and a risk to plant and personnel. Consult Tapflo (UK) if in doubt.

In the interest of health and safety it is essential to wear appropriate PPE when operating and/or working in the vicinity of the application.

PNEUMATIC LIFE COUNTER

Principle of operation

Tapflo (UK)'s Life Counter is essentially a maintenance tool to monitor and record the amount of work a pump completes enabling preventative maintenance regimes. Monitoring the exhaust of an AODD pump the pump strokes are recorded on a lithium powered counter. The count can be reset to zero using the supplied 'reset key'.

Recommended installation

For pumps with air inlets of 1/4" BSP or smaller the pump can be connected directly to the 'PUMP' port as shown in fig 1.

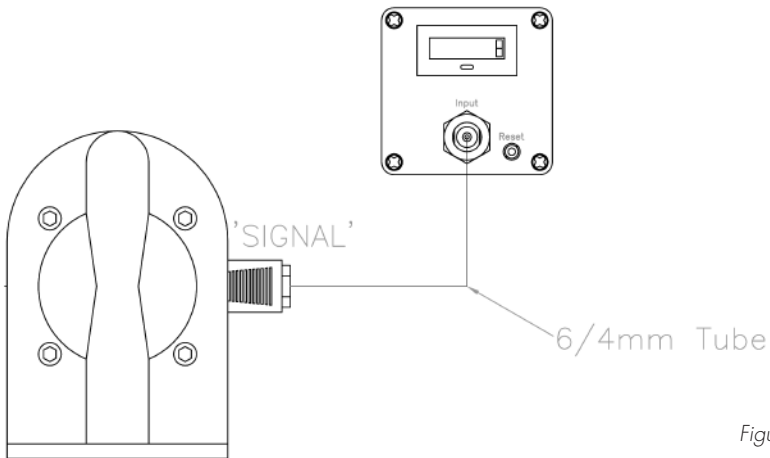


Figure 1.

Calibration and set-up

- Ensure the system is configured correctly.
- Set the air pressure.
- Turn the compressed air supply on.
- Check for leaks. Please note the amplifier used in the system is an 'air bleed' design and discharges a small amount of air during normal use.



INSTRUCTION MANUAL

Operation

The system has a fully pneumatic 'Plug-n-Play' set-up.

1. Connect the signal input to the pump exhaust as shown in the 'typical application' drawing figure 1.
2. Reset the system by inserting the reset key into the reset port, remove key and then store in a safe place.
3. The system is now ready so as when the pump runs the display will register each pump stroke and record the total.
4. To reset, simply insert the reset key

Maintenance

Routinely check the condition of the dip tubes for blockage or damage.

Routinely check system sensitivity and general functionality.

The system has no user serviceable parts, please consult Tapflo (UK) for service.

The unit is battery powered with a typical life in excess of 5 years.

Troubleshooting

Check the system is configured as shown in the recommended configuration then see possible solutions below. If the problem persists consult Tapflo (UK).

System is inoperative	<ul style="list-style-type: none">• Check all connections for kinks, security etc.• Check air supply.• Check incoming air pressure, min/max pressure etc.• Check calibration.• Check pump, follow procedure in pump manual.
------------------------------	---

PNEUMATIC LIFE COUNTER

Specifications	
Temperature	-10°C to +50°C
System Pressure	Max 1 Bar
Weight	0.18 Kg

Connections	
1	Input (4mm push-fit)
2	Reset port

Dimensions

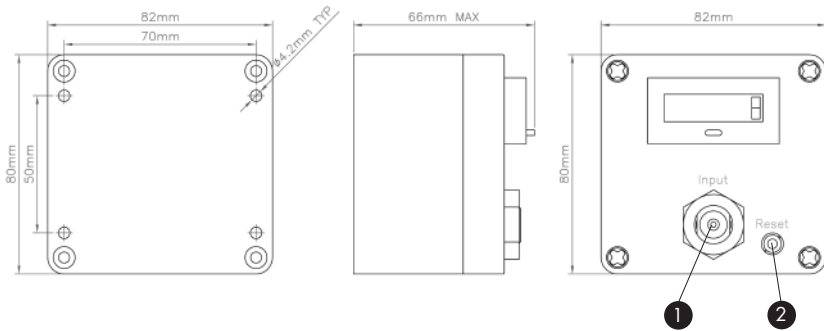


Figure 3.

INSTRUCTION MANUAL

Returning parts

To return parts to Tapflo (UK) please follow this procedure.

- Consult Tapflo (UK) for shipping instructions
- Cleanse, neutralise and rinse the part making sure the part is completely free from media.
- Provide a certificate of decontamination, where appropriate.
- Complete the Warranty / Returns form on page 9.
- Pack and return articles carefully to prevent any damage during transport

Warranty

Tapflo (UK) warrants products* of its own manufacture will be free from defects in raw material and manufacture under normal use and service period of no more than one year. Tapflo's obligation under this warranty being limited to repair or replacement of its products which shall be returned to Tapflo (UK). Follow the procedures in 'Returning parts' section of this manual. If a part is received defective, report to Tapflo (UK) immediately. Parts returned to our company must have written authorisation from Tapflo (UK). This warranty will not apply to any of our products which shall have been used other than for their intended use.

*Even when products such as diaphragms operate under normal conditions, some parts are subject to wear and may require replacement within the warranty period. Examples of such parts in Tapflo (UK) Guardian systems are diaphragms, valve seals, etc'. This warranty will not apply to these parts being subject to wear.

Whilst every effort has been made to ensure that all the information contained in this document is correct at the time of publication, due to our policy of continuous product improvement, the company reserves its right to change any information contained herein without notice.

PNEUMATIC LIFE COUNTER

Service Notes

INSTRUCTION MANUAL

Warranty / Return Form

Company: _____

Contact Name: _____

Telephone: _____ Fax: _____

Address: _____

Country: _____ Post Code: _____

Email: _____

System type: _____ Serial Number: _____

Delivery date: _____ Installation date: _____

Air pressure (bar): _____ Quality of the air (filter, micron?, lubrication?): _____

Description of the fault: _____

Other: _____

Sketch of installation



Tapflo UK Ltd -
Tapflo House, Victory Close, Chandlers Ford, Hampshire SO53 4BU
t: +44 (0)23 8025 2325 f: +44 (0)23 8026 9016
e: sales@tapflopumps.co.uk w: www.tapflopumps.co.uk

DISTRIBUTOR: